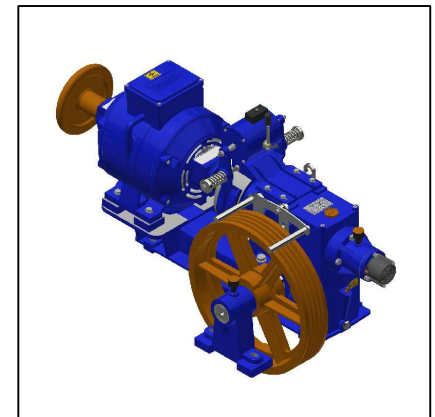


DIRECTIVES : 95 / 16 EC Lifts Directive
73 / 23 / EEC Low Voltage Directive
98 / 37 / EC Safety of Machinery Directive

STANDARTS : EN 60034-1 1998
EN 60204-1 1992
EN 81-1:2001
EN 60204-32 : April 1999



MACHINE (SPEED - WEIGHT - POWER) TABLE					Static freight	2.500
GEAR RATIO	MOTOR POWER	CARRYING FREIGHT	CABINET SPEED	ROPE	SHEAVE / PITCH	WEIGHT
Z ₁ - Z ₂	Hp / kW	1:1	M / S	Piece / Diameter	mm.	Kg.
41 / 1	8,20 / 6,00 (a)	320	1,00	4 x 10	500 / 16,5	350

a) 1.500 Speed motor

Notes : a) Driving pulley shaft diameter is Ø 55 mm.
b) Recommended lubricant must be used otherwise the bearings and gears mounted on speed reducer will be wearen faster and the efficiency will decreased.
d) Our company has the right to change without notification.