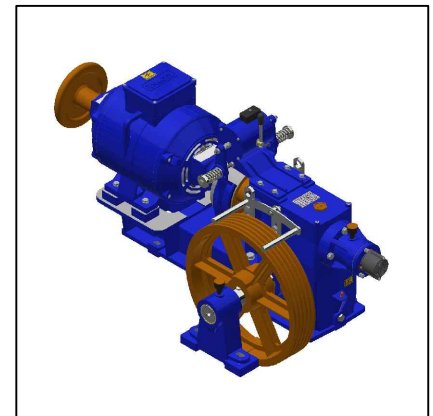


DIRECTIVES : 95 / 16 EC Lifts Directive
73 / 23 / EEC Low Voltage Directive
98 / 37 / EC Safety of Machinery Directive

STANDARTS : EN 60034-1 1998
EN 60204-1 1992
EN 81-1:2001
EN 60204-32 : April 1999



| MACHINE (SPEED - WEIGHT - POWER) TABLE | | | | | | Static freight | 4.500 |
|---|-------------------------|-------------------------|----------------------|-------------------------|-----------------------|-----------------------|--------------|
| GEAR RATIO | MOTOR POWER | CARRYING FREIGHT | CABINET SPEED | ROPE | SHEAVE / PITCH | WEIGHT | |
| Z₁ - Z₂ | Hp / kW | 1:1 | M / S | Piece / Diameter | mm. | Kg. | |
| 41 / 1 | 12,50 / 9,20 (a) | 800 | 1,00 | 5 x 10 | 500 / 16,5 | 485 | |
| | 12,50 / 9,20 (a) | | 1,20 | | 600 / 16,5 | | |
| 41 / 2 | 12,50 / 9,20 (b) | 630 | 1,40 | | 560 / 16,5 | | |
| | 12,50 / 9,20 (a) | 500 | 1,60 | | 450 / 16,5 | | |
| | 12,50 / 9,20 (a) | 400 | 2,00 | | 500 / 16,5 | | |

a) 1.500 Speed motors

b) 1.000 Speed motors

Notes : a) Driving pulley shaft diameter is Ø 64 mm.
b) Recommended lubricant must be used otherwise the bearings and gears mounted on speed reducer will be wearen faster and the efficiency will decreased.
c) Our company has the right to change without notification.
d) Above 1,40 m/s speed machines are for 2:1 roping systems.