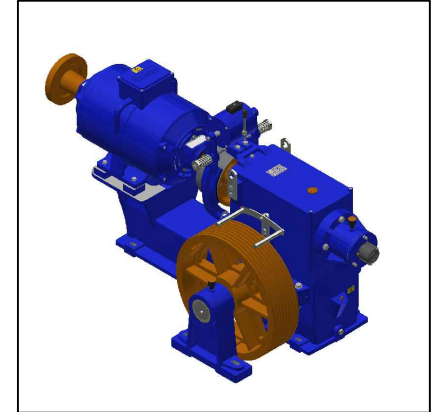


DIRECTIVES : 95 / 16 EC Lifts Directive
73 / 23 / EEC Low Voltage Directive
98 / 37 / EC Safety of Machinery Directive

STANDARTS : EN 60034-1 1998
EN 60204-1 1992
EN 81-1:2001
EN 60204-32 : April 1999



MACHINE (SPEED - WEIGHT - POWER) TABLE

MACHINE (SPEED - WEIGHT - POWER) TABLE					Static freight	15.000
GEAR RATIO	MOTOR POWER	CARRYING FREIGHT	CABINET SPEED	ROPE	SHEAVE/ PITCH	WEIGHT
Z₁ - Z₂	Hp / kW	1:1	M/ S	Piece/ Diameter	mm.	Kg.
50 / 1	30,00 / 22,06 (a)	2.000	0,80	8 x 12	570 / 16,5	1.040

a) 1.500 Speed motors

b) Balance chain should be used heights above 30 meter

Notes : a) Driving pulley shaft diameter is \varnothing 90 mm.

b) Recommended lubricant must be used otherwise the bearings and gears mounted on speed reducer will be wearen faster and the efficiency will decreased.

c) Our company has the right to change without notification.