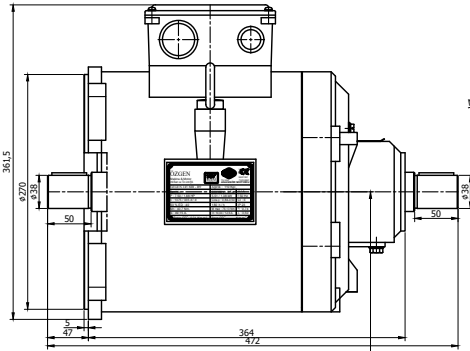
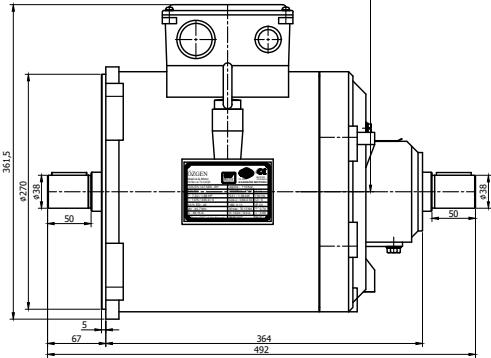
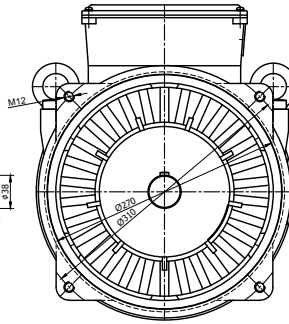


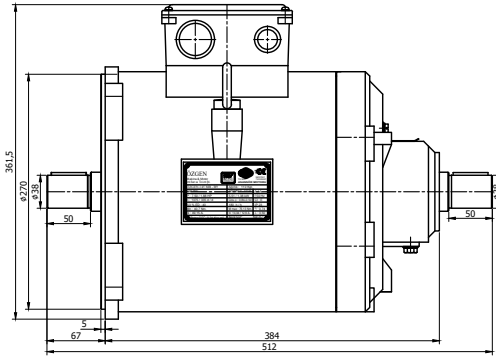
ÜST GÖRÜNÜŞ



ÖZGEN.145 MB-B9
7,50 Hp. - 5,50 kW.



ÖZGEN.145 MC-B9
8,50 Hp. - 6,25 kW.



ÖZGEN.145 LA/LB-B9
10,20 Hp. - 7,50 kW. / 12,50 Hp. - 9,20 kW.

PRODUCED ACCORDING TO - TSE 60034

TECHNICAL VALUES TABLE (At Nominal Weight)							TSEK CERTIFICATED		
MOTORS TYPE	POWER (220/380 VAC)		PERIOD (rpm.)	CURRENTS In (Amp.)	Cos φ	EFFICIENCY η	MOMENT Mk	POLE NUMBER	ROTOR - GD ² (Kg.M ²)
	Hp	kW							
ÖZGEN. 145 MB - B9	7,50	5,51	1.500	15,13	0,82	0,82	38,65	4	0,131
ÖZGEN. 145 MC - B9	8,50	6,25	1.500	15,86	0,80	0,80	43,65		0,145
ÖZGEN. 145 LA - B9	10,20	7,50	1.500	18,36	0,83	0,83	52,97		0,161
ÖZGEN. 145 LB - B9	12,50	9,19	1.500	23,14	0,83	0,83	66,32		0,172

Notes : a) Recommended lubricant must be used otherwise the bearings mounted on electric motor shaft will be wearen faster.
b) Our company has the right to change without notification.